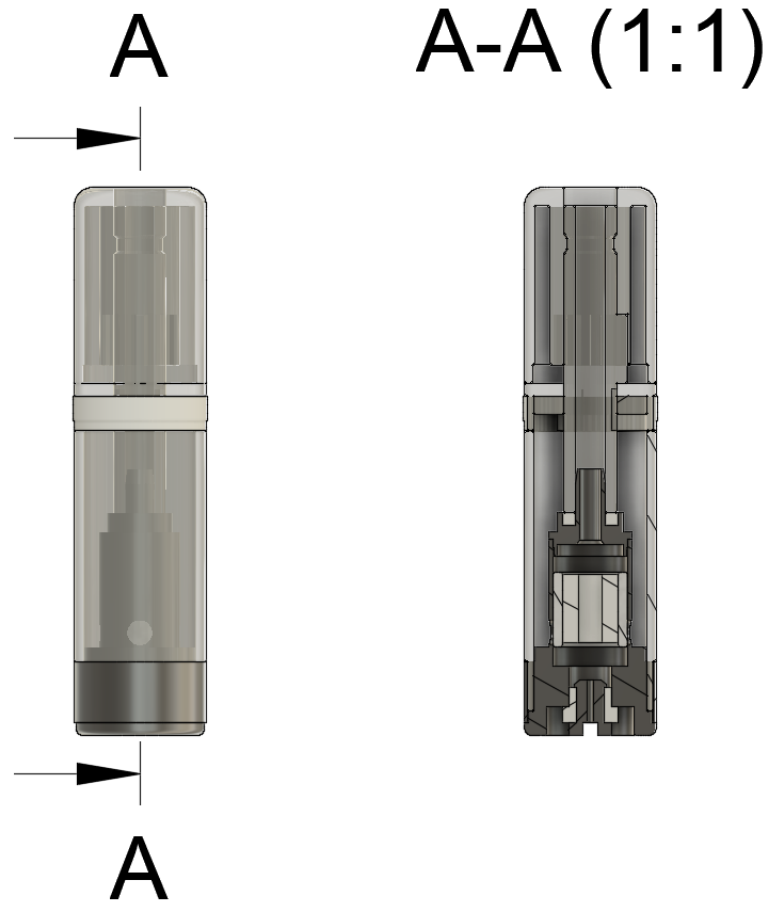

	DOCUMENT NO:	SPEC-L91205-13XX	VER:	1.0
	Liquid 6 Cartridge, 0.5 ml			EFFECTIVE DATE:
APPROVAL:	ECO-101	Jupiter PN(s):	L91205-13XX; XX - Branding	PAGE 1 OF 3



**Description:** Septum fill vaporizer cartridge


**Features:**

- CCELL Technology atomizer – heating element embedded in porous ceramic
- Tamper proof snap-on mouthpiece
- Magnetic connection to Liquid 9 Power Supply
- Operational viscosity range up to 110,000 cPs

	DOCUMENT NO:	SPEC-L91205-13XX	VER:	1.0
	Liquid 6 Cartridge, 0.5 ml			EFFECTIVE DATE:
APPROVAL:	ECO-101	Jupiter PN(s):	L91205-13XX; XX - Branding	PAGE 2 OF 3

Specifications		
Internal Volume	Gross	0.55 ml
	Max. fill volume	0.50 ml
Atomizer Resistance	1.25 – 1.45 $\Omega$	
Atomizer Protective Fluid	PEG-400, ~50 $\mu\text{l}^1$	
Maximum Viscosity	110,000 cPs	
Weight, empty with Mouthpiece	6.2 $\pm$ 0.2 grams	
Wetted Materials	Housing and mouthpiece	Polycarbonate (PC)
	Mouthpiece	Polycarbonate (PC)
	Septum	Nitrile Butyl Rubber (NBR)
	Sleeve	SS
	Atomizer shell and base	Ni-plated brass
	Airway tube	Ni-plated brass
	Heating element	Nichrome
	Wick	Ceramic
	Atomizer retaining wrap	Cellulose
	Seals	Silicone
Branding Options	Available with MOQ	

<sup>1</sup> First lot: L157

	DOCUMENT NO:	SPEC-L91205-13XX	VER:	1.0
	Liquid 6 Cartridge, 0.5 ml			EFFECTIVE DATE:
APPROVAL:	ECO-101	Jupiter PN(s):	L91205-13XX; XX - Branding	PAGE 3 OF 3

### Jupiter Liquid 9 Cartridge Filling Instructions

1. Locate the septum 180° from the rib on the side of the airway.
2. Insert a non-coring needle (18 gauge) in the septum and invert the cartridge as shown at right.
3. Inject 0.5 ml of oil into the cartridge while the cartridge is inverted allowing air to escape through atomizer inlets  
\* Continuing to inject fluid after all of the air has been displaced may cause the cartridge to leak.
4. Remove the needle.
5. Press fit the mouthpiece until it snaps securely in place.  
\*Note tapping mouthpiece with a firm object to fully seat is an acceptable practice.

Waiting 30 minutes for atomizer to saturate is recommended before use.

For Technical Assistance please contact us at: [cs@jupiterresearch.com](mailto:cs@jupiterresearch.com)

